

8E0-S1-11

INSTRUCTION MANUAL VERTICAL COOLER

Ventilated Cooling Series
Static Cooling Series



Please read the user's manual before you use this product.
If you request unnecessary services, you may waste money.
Thus, fix simple troubles by yourself which you have found.

200±2

137.57±2

技术要求

1. 裁剪、装订整齐，印刷清晰无墨污。
2. 图形和字体可按图纸等比例缩放，不可扭曲。
3. 印刷详细内容参见设计稿电子文档。
4. 说明书共16页。
5. 说明书版本：W0811085.20131009。

封面	封底
第1页	第14页
第2页	第13页
第3页	第12页
第4页	第11页
第5页	第10页
第6页	第9页
第7页	第8页

						普白纸/70克			 物料编号： W0811085	
						展开尺寸：			通用印刷物	
						程序编号：				
标记	处数	分区	更改文件号	签名	年、月、日	阶段标记		重量(KG)	比例	2011工程款冰箱中性英文说明书
设计	张惠影	20120330	标准化			S	A	0.0155	1:1.5	
审核										TY-YS-038
工艺			批准			共 1 张		第 1 张		版本号： a2

1

2

3

4

INSTRUCTION MANUAL

VERTICAL COOLER

Ventilated Cooling Series

Static Cooling Series



*Please read the user' s manual before you use this product.
If you request unnecessary services, you may waste money.
Thus, fix simple troubles by yourself which you have found.*



Content:

1.Preface.....	2
2.Use of the equipment.....	3
3.Technical features.....	3
4.Operation.....	3
5.Control unit.....	4
6.Handling.....	4
7.Installation procedure.....	5
8.Connecting to the main power supply.....	5
9.Maintenance instructions.....	6
Cleaning.....	6
Cleaning the refrigerator surface.....	6
Cleaning the inside of the refrigerator.....	7
Cleaning the condenser.....	7
10.Troubleshooting.....	7
11.Technical service.....	7
12.Configuration Sketch Map.....	8
Operating Instruction.....	8
Caution.....	11
Technical Parameters.....	12
Official Approval And Rules.....	14



1. Preface

This instruction manual provides all the necessary information regarding:

- ▲ use of the refrigerator
- ▲ technical specifications
- ▲ installation and handling
- ▲ operator procedures and instructions
- ▲ maintenance operation

The manual is to be considered an integral part of the refrigerator and should be stored in a safe place for future consult to permit a good working life of the refrigerator.



ATTENTION

The manufacturer cannot be held liable in the following cases:

- improper installation (not in accordance with the guidelines indicated herein)
- misuse of the refrigerator
- power supply defects
- improper or inadequate maintenance
- unauthorised modification or tampering
- use of non-original spare parts
- partial or total failure to comply with the instructions

All electrical equipment can be hazardous to health. Current standards and legal requirements must be complied with during the installation and use of any equipment.



2. Use of the equipment

The refrigerator are for preserving fresh perishable foodstuffs, with an in-built refrigerated unit.

The operating temperature for refrigeration is:

- between $+1^{\circ}\text{C}$ and $+8^{\circ}\text{C}$ at room temperature of $+32^{\circ}\text{C}$ an 60%RD.

The operating temperature for frozen food maintenance is:

- between -17°C and -22°C at room temperature of $+32^{\circ}\text{C}$ an 60% RD.

3. Technical features

The refrigerator is a ventilated system, the evaporator is in a separate insulated box on the top. All the materials used in the manufacture of this unit are guaranteed to be suitable for use with foodstuffs. The gases used in refrigerator is R134a; in the refrigerator for frozen food maintenance is R404a.

The refrigerating circuit are in compliance with the current normative.

4. Operation

The gas in the refrigerating circuit is in the first time compressed, liquefied and then evaporated in the ventilated evaporator, situated on the top of the container.

This cycle involves the absorption of heath from the air in the refrigerator compartment and the reason is cooled. The heat produced is then dissipated to the outside environment by a condenser unit located on the top of the refrigerator.



5. Control unit

The refrigerator is command from a “digital control unit” and a “main switch pilot light” in the top panel of the refrigerator.

The “main switch pilot light” is for turning on the power supply.

The green pilot light comes on to indicate that the unit is connected to the main electricity and to start work.

The green pilot light comes off to indicate that the unit is disconnected and don’ t work. The “digital control unit” is for the regulation of all parameters to provide the correct working of the refrigerator. Please consult all parameters in the attachment manual of the “digital control unit”.

This manual is part of the instruction manual and is very important in case of service.

6. Handling

The refrigerator arrive in PET film and packed in cardboard box on a wood pallet.



The refrigerator must be transported and handled with care to avoid posing a hazard to persons or property.

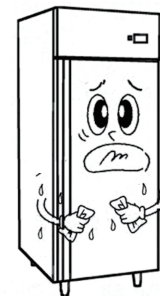
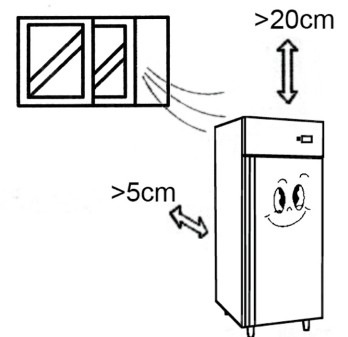
Never place a refrigerator with an in-built refrigerated unit on its side or turn it upside down as this may damage or impair operation of the refrigerated unit. We can not held liable for any damage or defects arising directly or indirectly from improper handling of the equipment or non-compliance with the safeguards illustrated above.





7. Installation procedure

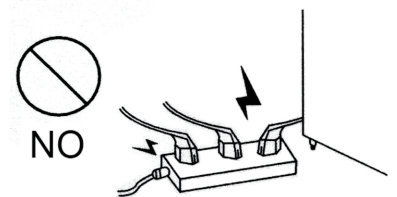
- ▲ Place the refrigerator in the coolest and best ventilated part of the room. Don't install the refrigerator in the near of heat and direct sunlight sources.
- ▲ Remove the straps securing the cardboard packing
Remove the cardboard. Covering
Remove the PET protection film
- ▲ Clean the refrigerator with mild detergent and then dry it with a soft cloth.



8. Connecting to the main power supply

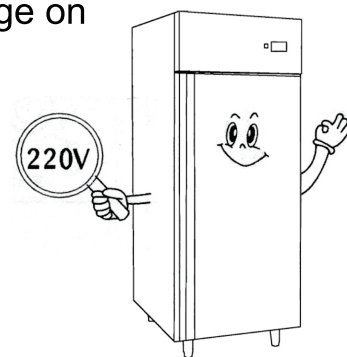
- ⚠ This operation must be carried out by professionally and qualified persons.

The refrigerator are supplied complete with a power supply cable for the connection to the main power supply. A thermomagnetic circuit breaker (not supplied) must be installed between the mains power point and the power supply cable of the refrigerator.



Before proceeding make sure that:

- ▲ the mains voltage corresponds to the voltage on the refrigerator 220V/50Hz/1Ph; to ensure proper operation it is essential for the power supply voltage to come within a range of +/- 10% of the unit's rated voltage





- ▲ the electric system to which the refrigerator is sized to cater for the rated electric output of the buffet unit being installed
- ▲ the electronic system to which the refrigerator is connected is made in compliance with current standard requirements
- ▲ the electric connections and the installation of the thermomagnetic circuit breaker have been done by qualified person.

Connecting steps:

- ▲ Install a thermomagnetic circuit breaker suited to the rated output of the unit being installed
- ▲ Connect the refrigerator unit to the thermomagnetic circuit breaker outlet
- ▲ Check that the refrigerator is in order as demonstrated by the pilot light incorporated in the main switch coming on

9. Maintenance instructions

The smooth operation and life of the equipment are mainly determined by correct and regular maintenance

Cleaning:

Regular cleaning of the refrigerator unit is strongly recommended each month. Please follow the instructions below.

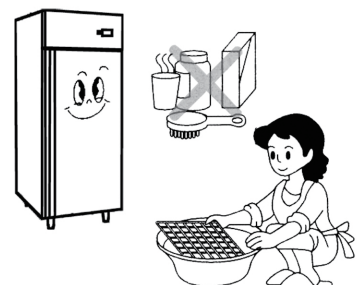


Disconnect the refrigerator power supply cable from the mains prior to carrying out any type of cleaning operation.

Cleaning the refrigerator surface:

Clean the refrigerator with mild detergent and then dry it with a soft cloth.

Do not use abrasive detergents!



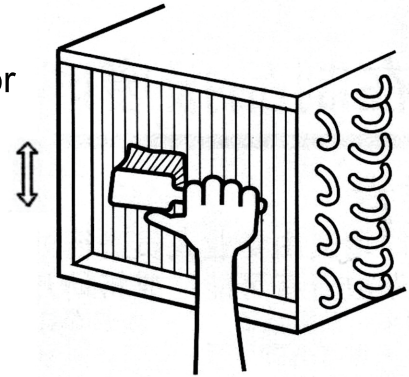


Cleaning the inside of the refrigerator:

Clean the inside area min. each month with a detergent suitable for use with foodstuffs.

Cleaning the condenser:

For an efficient operation of the refrigerator it is advisable to clean the condenser regularly approx. every 4 months with a dry brush or vacuum cleaner.



10. Troubleshooting

Refrigerator stops working (light off):

- ☆ Power supply failure

▲ Remedies:

- ☆ Check that the plug is inserted properly in the socket
- ☆ Check that the switch on/off
- ☆ Check that the mains voltage powers the plug

Refrigerator temperature go up:

- ☆ Unit too near to a heat source
- ☆ Condenser dirty or close

▲ Remedies:

- ☆ Move the counter or the heat source further away
- ☆ Clean the condenser

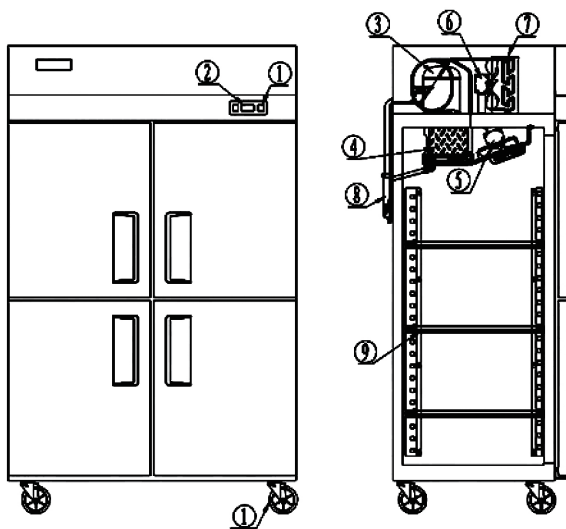
11. Technical service

For technical service please contact the dealer technical department and give him the serial n°, and the date of buy.



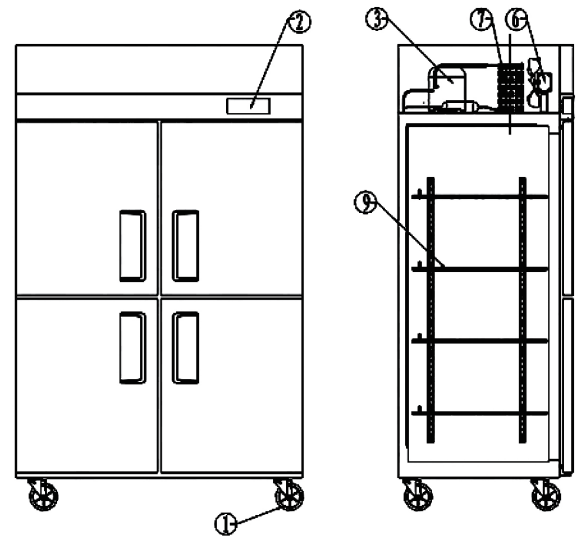
12. Configuration Sketch Map

T Serise Reach-Ins



1. Power switch
4. Evaporator
7. Condenser

B Serise Reach-Ins



2. Microcomputer controller
3. Compressor
6. Condenser fan motor
9. Shelf

Operating Instruction



1. New upright air-cooling refrigerator should be opened and ventilate it before it is in use. After that, users should use warm water clean its inside.
2. After connecting the power supply, press the "POWER" switch on the controller keyboard (Green Indicator Light ON), the fridge will come to work. The microcomputer controller, installed in the controller keyboard, could automatically adjust the temperature ranges. This intelligent digital controller works as: if the temperature increases and reaches set point plus differential the compressor is started and then turned off when the temperature reaches the set point value again.



3. Microcomputer Controller Operation Instruction:

4. Microcomputer panel sketch map, meanings of running indicator light and LED showing.

5. **SET** To display target set point, in programming mode it selects a parameter or confirm an operation.

❄ To start a manual defrost.

▲ In programming mode it browses the parameter codes or increases the displayed value .

▼_{AUX} In programming mode it browses the parameter codes or decreases the displayed value .

▼+▲ To lock or unlock the keyboard

SET+▼ To enter in programming mode

SET+▲ To return to room temperature display .

6. How to see the point .

Push and immediately release the SET key, the set point will be showed;
Push and immediately release the SET key or wait about 5s to return to normal visualisation.

7. How to change the setpoint .

Push the SET key for more than 2 seconds to change the Set point value;
The value of the set point will be displayed and the “°C” or “°F” LED starts blinking;

To change the Set value push the ▲ or ▼_{AUX} arrows.

To memorise the new set point value push the SET key again or wait 10s.

8. How to start a manual defrost .

Push the DEF ❄ key for more than 2 seconds and a manual defrost will start .



(Mod. XR06CX)

LED	MODE	SIGNIFICATO
❄	On	Compressor enabled
	Flashing	Anti short cycle delay enabled (AC parameter)
❄	On	Defrost in progress
	Flashing	Dripping in progress
FAN	On	Fans output enabled
	Flashing	Fans delay after defrost
°C	On	Measurement unit
	Flashing	Programming mode
°F	On	Measurement unit
	Flashing	Programming mode



9. How to change a parameter value

To change the parameter's value operate as follows:

Enter the Programming mode by pressing the **SET+▽** keys for 3s
(“°C” or “°F” LED starts blinking).

Select the required parameter. Press the “SET” key to display its value

Use **△** or **▽_{AUX}** to change its value.

Press “SET” to store the new value and move to the following parameter.

To exit: Press **SET+△** or wait 15s without pressing a key.

NOTE: the set value is stored even when the procedure is exited by waiting the time-out to expire.

10. To lock the keyboard .

Keep pressed for more than 3s the **▽+△** keys.

The “OF” message will be displayed and the keyboard will be locked.

If a key is pressed more than 3s the “OF” message will be displayed.

11. To unlock the keyboard .

Keep pressed together for more than 3s the **▽+△** keys till the “on” message will be displayed .

12. Alarm signalling .

Mess.	Cause	Outputs
"P1"	Room probe failure	Compressor output according to “Cy” e “Cn”
"P2"	Evaporator probe failure	Defrost end is timed
"HA"	Maximum temperature alarm	Outputs unchanged
"LA"	Minimum temperature alarm	Outputs unchanged
"EA"	External alarm	Outputs unchanged
"CA"	Serious external alarm	All outputs OFF
"dA"	Door Open	Compressor and fans restarts

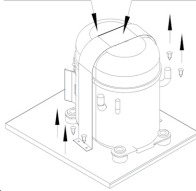


Our products have been modified precisely before leaving factory, so to avoid damaging compressor unit or other malfunctions, users mustn't modify the microcomputer parameters privately.

CAUTION

**Remove
This Bracket
Before Using**

Compressor Bracket



To avoid damaging compressors of top mount reach-ins during transportation, we add bracket on the compressor. Please remove the bracket before using. Below is the label on the bracket.

**Remove This Bracket
Before Using**

To avoid damaging doors of reach-ins during transportation, we add a bracket at the bottom of each big door. Please remove this bracket before using. Below is the label on the bracket.



Technical Parameters

Ventilated Cooling Series

Product Name	Model code	Prevention class of getting an electric shock	Power source (V) Rating frequency(Hz)	Rated current(A)	Temperature range (°C)	Refrigerant	Dimension (mm)	Net Weight (kg)
HALF TWO DOOR REFRIGERATOR	YBF9200	I	220~240/50	1.5	-2~+8	R134a	600×845×1950	96
HALF TWO DOOR FREEZER	YBF9201	I	220~240/50	2.8	-22~-17	R134a	600×845×1950	96
HALF TWO DOOR REFRIGERATOR	YBF9204	I	220~240/50	1.5	-2~+8	R134a	600×745×1950	90
HALF TWO DOOR FREEZER	YBF9205	I	220~240/50	2.8	-22~-17	R134a	600×745×1950	90
SINGLE DOOR REFRIGERATOR	R450SV	I	220~240/50	1.5	-2~+8	R134a	600×745×1950	90
SINGLE DOOR FREEZER	F450SV	I	220~240/50	2.8	-22~-17	R134a	600×745×1950	90
SINGLE DOOR REFRIGERATOR	YBF9208	I	220~240/50	1.5	-2~+8	R134a	600×845×1950	96
SINGLE DOOR FREEZER	YBF9209	I	220~240/50	2.8	-22~-17	R404A	600×845×1950	96
HALF FOUR DOOR REFRIGERATOR	YBF9210	I	220~240/50	3	-2~+8	R134a	1200×845×1950	150
HALF FOUR DOOR FREEZER	YBF9211	I	220~240/50	4	-22~-17	R404A	1200×845×1950	150
TWO DOOR REFRIGERATOR	R1000SV	I	220~240/50	3	-2~+8	R134a	1200×745×1950	135
TWO DOOR FREEZER	YBF9219	I	220~240/50	4	-22~-17	R404A	1200×745×1950	135
HALF FOUR DOOR REFRIGERATOR	YBF9224	I	220~240/50	3	-2~+8	R134a	1200×745×1950	135
HALF FOUR DOOR FREEZER	YBF9225	I	220~240/50	4	-22~-17	R404A	1200×745×1950	135
TWO DOOR REFRIGERATOR	YBF9226	I	220~240/50	3	-2~+8	R134a	1200×845×1950	150
TWO DOOR FREEZER	YBF9227	I	220~240/50	4	-22~-17	R404A	1200×845×1950	155

NOTES:

If the technical data has any changes, we will not notify you any longer.



Technical Parameters

Static Cooling Series

Product Name	Model code	Prevention class of getting an electric shock	Power source (V) Rating frequency(Hz)	Rated current(A)	Temperature range (°C)	Refrigerant	Dimension (mm)	Net Weight (kg)
HALF TWO DOOR REFRIGERATOR	YBL9300	I	220~240/50	1.5	-5~+8	R134a	685×800×1950	91
HALF TWO DOOR FREEZER	YBL9301	I	220~240/50	1.5	-18~-12	R134a	685×800×1950	91
HALF FUR DOOR REFRIGERATOR	YBL1826	I	220~240/50	2	-5~+8	R134a	1200×800×195	145
HALF FOUR DOOR DOUBLE TEMPERATURE 1/2 FREEZER	YBL1827	I	220~240/50	3.3	-5~+8 -18~-12	R134a	1200×800×195	160
HALF FOUR DOOR FREEZER	YBL1828	I	220~240/50	4	-18~-12	R134a	1200×800×195	145
HALF FOUR DOOR DOUBLE TEMPERATURE 1/4 FREEZER	YBL1829	I	220~240/50	3.3	-5~+8 -18~-12	R134a	1200×800×195	160
HALF SIX DOOR REFRIGERATOR	YBL9320	I	220~240/50	3.5	-5~+8	R134a	1800×800×195	197
HALF SIX DOOR FREEZER	YBL9321	I	220~240/50	4.5	-18~-12	R134a	1800×800×195	212
HALF SIX DOOR DOUBLE TEMPERATURE 1/3 FREEZER	YBL9322	I	220~240/50	3.5	-5~+8 -18~-12	R134a	1800×800×195	197
SINGLE DOOR REFRIGERATOR	MBL8950	I	220~240/50	1.7	-5~+5	R134a	685×800×2100	110
SINGLE DOOR FREEZER	MBL8951	I	220~240/50	2.9	-18~-12	R134a	685×800×2100	110
TWO DOOR REFRIGERATOR	MBL8960	I	220~240/50	3.2	-5~+5	R134a	1382×800×2100	180
TWO DOOR FREEZER	MBL8961	I	220~240/50	4.0	-18~-12	R134a	1382×800×2100	180

NOTES:

If the technical data has any changes, we will not notify you any longer.



Official Approval And Rules

Our products full fill the present E.U. rules, including the CE mark of the European official approval

89/336/EEC including amendments-electromagnetic compatibility (EMC)

73/23/EEC including amendments-low voitage (LVD)

EN 60335-1:2005

EN 60335-2-24:2004

EN 55014-1:2003

EN 55014-2:2002

EN 61000-3-2:2001

EN 6100-3-3:2002

Serial № C003-106-076



W0811085.20131009

